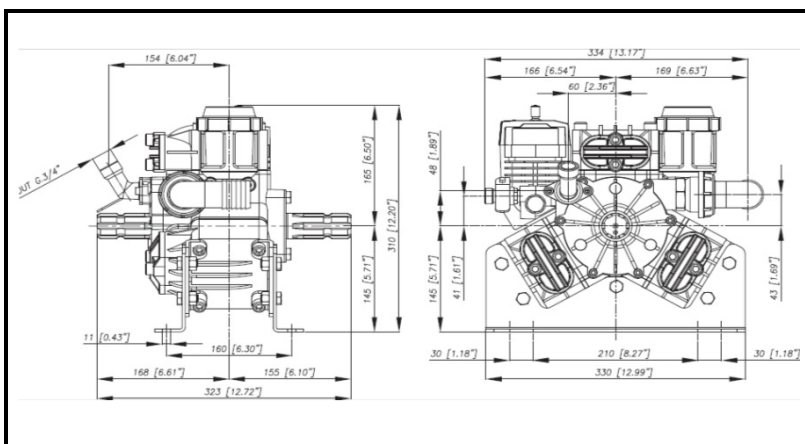
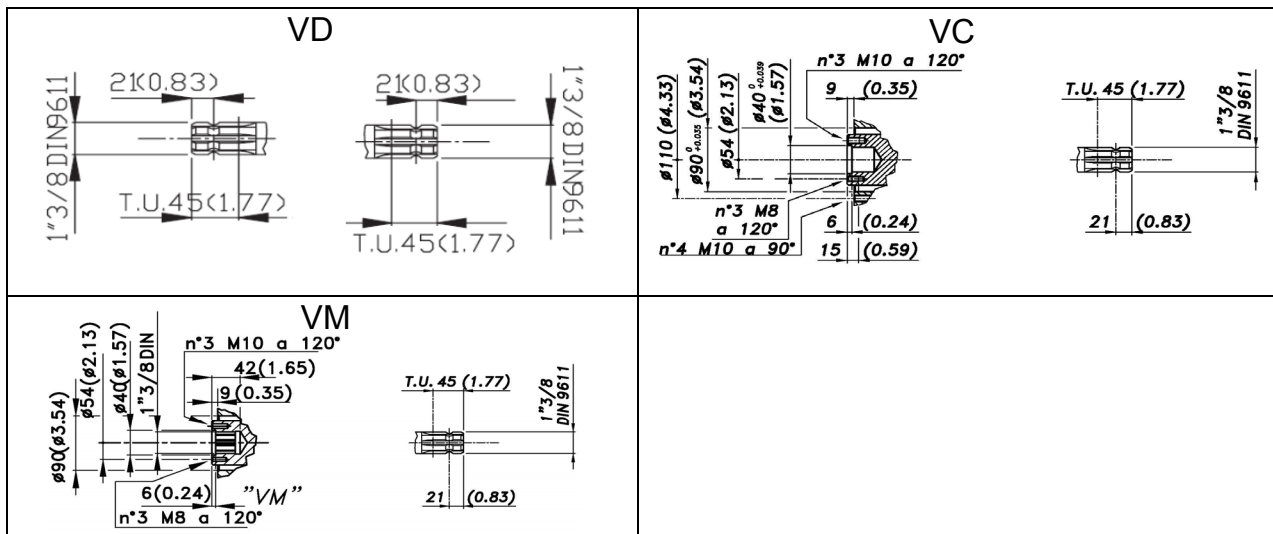


DIMENSIONI D'INGOMBRO - OVERALL DIMENSIONS



ALBERO POMPA - PUMP SHAFT



COPPIA DI SERRAGGIO - TORQUE CHART					
CODICE - CODE	Q.TY	POS	N.m	Lbr.ft	
230055973	3	3	12	8,9	
862108002	2	40	10	7,4	
862216002	6	39	10	7,4	
862730002	4	65	22	16,2	
863187102	4	18	44	32,5	
863300002	6	48	44	32,5	
863590002	4	46	44	32,5	
863591002	8	32	44	32,5	
863985002	1	62	68	50,2	
814632002	9	73	44	32,5	
862852002	4	91	12	8,9	

Tolleranza di serraggio: 0/-10%
 Tolerance on torque value:

INFORMAZIONI UTILI USEFUL INFORMATION				
LUBRIFICANTE- LUBRICANT: OLIO MOTORE O SEMIIDRAULICO SAE 30 MOTOR OIL OR SEMI-HYDRAULIC OIL SAE 30				
PRESSIONE ACCUMULATORE ACCUMULATOR PRESSURE				
PRESSIONE DI LAVORO - OPERATING PRESSURE	2 + 5	5+10	10 + 20	20 + 50
ACCUMULATORE ACCUMULATOR	2	2 + 5	5 + 7	6 + 8

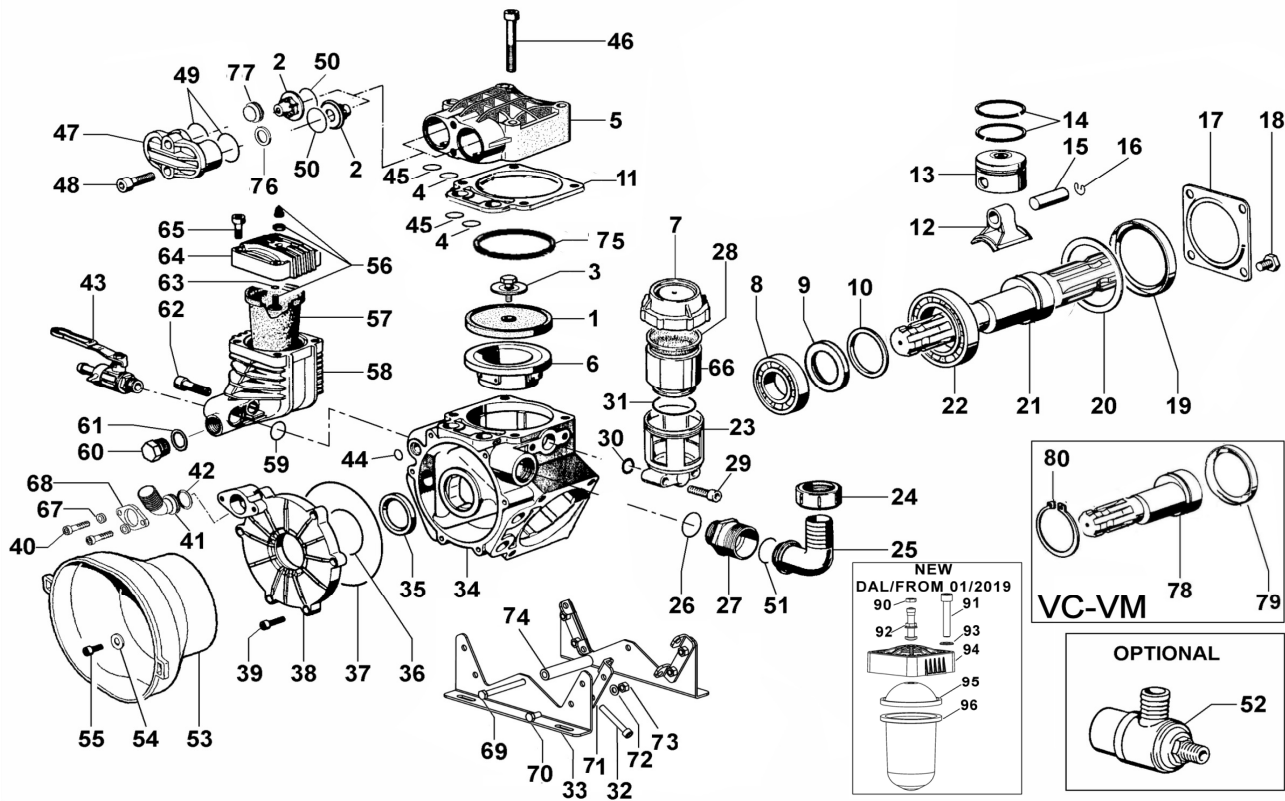
KIT MEMBRANE - DIAPHRAGMS KIT

KIT	23.9901.97.3 23.9901.97.A	BUNA - N			PRE-SET DESMOPAN			VITON							PENTAX				
		23.9902.97.3 23.9902.97.A	23.9903.97.3 23.9903.97.A	23.9904.97.3 23.9904.97.A	23.9905.97.3 23.9905.97.A	23.9906.97.3 23.9906.97.A	23.9907.97.3 23.9907.97.A	23.9908.97.3 23.9908.97.A	23.9909.97.3 23.9909.97.A	23.9910.97.3 23.9910.97.A	23.9911.97.3 23.9911.97.A	23.9912.97.3 23.9912.97.A	23.9913.97.3 23.9913.97.A	23.9914.97.3 23.9914.97.A	23.9915.97.3 23.9915.97.A				
POSIZIONE ESPLOSO POSITION NUMBER		1	45	57	1	45	57	1	44	45	49	50	36	37	57	59	1	45	57
QUANTITA' NEL KIT QUANTITIES INCLUDED		3	6	1	3	6	1	3	1	6	6	6	1	1	1	1	3	6	1

* .3: per pompe con calotta accumulatore in alluminio/for pumps with aluminum ballaster cover
 * .A: per pompe con calotta accumulatore in polipropilene/for pumps with polypropylene ballaster cover

KIT VALVOLE - VALVES KIT

KIT	23.9905.97.3	KIT VALVOLE VALVE KIT		KIT POMPA VD PUMP KIT VD								KIT POMPA VM-VC PUMP KIT VM-VC												
		23.9913.97.3	23.9914.97.3	23.9915.97.3	23.9916.97.3	23.9917.97.3	23.9918.97.3	23.9919.97.3	23.9920.97.3	23.9921.97.3	23.9922.97.3	23.9923.97.3	23.9924.97.3	23.9925.97.3	23.9926.97.3	23.9927.97.3	23.9928.97.3	23.9929.97.3	23.9930.97.3					
POSIZIONE ESPLOSO POSITION NUMBER		2	50	49	35	19	44	45	49	50	36	37	59	4	35	79	44	45	49	50	36	37	59	4
QUANTITA' NEL KIT QUANT. INCLUDED		6	6	6	1	1	1	6	6	6	1	1	1	6	1	1	1	6	6	6	1	1	1	6



POS.	CODICE PART NO. REF.	DENOMINAZIONE - DESCRIPTION - DESCRIPTION	Q.TY	POS.	CODICE PART NO. REF.	DENOMINAZIONE - DESCRIPTION - DESCRIPTION	Q.TY
1	230011312	PISTON DIAPHRAGM	3	44	803176002	O-RING 2,62x11,91	1
1	230011332	VITON PISTON DIAPHRAGM	3	44	803176502	O-RING 2,62x11,91 (KIT VITON)	1
1	230012002DS	PRE-SET DURAMAX PISTON DIAPHRAGM	3	45	803189002	O-RING 2,62x18,72	6
1	230012002	PRE-SET DESMOPAN PISTON DIAPHRAGM	3	45	803189502	O-RING 2,62x18,72 (KIT VITON)	6
1	230011362	HPS PISTON DIAPHRAGM	3	46	863590002	SCREW M10x80 UNI5931	4
2	239898973	VALVE ASSY	6	47	230083092	VALVE COVER	3
3	230055973	KIT DISK + SCREW INOX	3	48	863300002	SCREW M10x30 UNI5931	6
4	803195002	O-RING 2,62x20,29	6	49	803219202	O-RING 3,0x35	6
4	803195052	O-RING 2,62x20,29 (KIT VITON)	6	49	803219502	O-RING 3,0x35 (KIT VITON)	6
5	230082092	HEAD	3	50	803247502	O-RING 3,53x28,17	6
6	230075012	PISTON SLEEVE	3	50	803247602	O-RING 3,53x28,17 (KIT VITON)	6
7	280144322	OIL FILLER CAP	1	51	803219102	O-RING 3,0x30	1
8	812846002	BEARING DIA.35x72x17	1	52	243040973	SAFETY VALVE 40bar (OPTIONAL)	1
9	230019762	RING	1	53	311467322	SAFETY CONE (OPTIONAL)	1
10	260047762	RING	1	54	843618002	WASHER (OPTIONAL)	3
11	230073092	SPACER	1	55	862086002	SCREW M6x14 UNI5931 (OPTIONAL)	3
12	230005092	CONROD	3	56	861608502	AIR VALVE (BEFORE 01-19)	1
12	230045112	BRONZE CONROD (OPTIONAL)	3	57	230041312	BALLASTER DIAPHRAGM (BEFORE 01-19)	1
13	230074092	PISTON	3	57	230041332	VITON BALLASTER DIAPH. (BEFORE 01-19)	1
14	818519002	PISTON RING	6	57	230041362	HPS BALLASTER DIAPH. (BEFORE 01-19)	1
15	852007002	PISTON PIN	3	58	230039092	DAMPER BODY	1
16	800021002	RING	6	59	803182002	O-RING 2,62x17,13	1
17	170013612	COVER	1	59	803182502	O-RING 2,62x17,13 (KIT VITON)	1
18	863187102	SCREW M10x16 UNI5931	4	60	852579532	CAP G.3/8	1
19	802256052	OIL SEAL	1	61	824107002	GASKET DIA.16,5x23x1	1
20	170024762	SPACER	1	62	863985002	SCREW M12x50 UNI5931	1
21	230076262	SHAFT"VD"	1	63	803213002	O-RING 3,0x6 (BEFORE 01-19)	1
22	812972002	BEARING DIA.55x90x18	1	64	110004092	BALLASTER COVER (BEFORE 01-19)	1
23	350009092	OIL FILLER	1	65	862730002	SCREW M8x30 UNI5931 (BEFORE 01-19)	4
24	82007000A	WING NUT G.1"1/2	1	66	410016322	OIL FILLER	1
25	840591002	90° ELBOW CONNECTOR DIA.40-1,57" (OPT.)	1	67	843585002	WASHER DIA.6 UNI6592	2
25	840571002	90° ELBOW CONNECTOR DIA.38-1,49" (OPT.)	1	68	311517612	FLANGE	1
26	803219102	O-RING 3,0x30	1	69	863640502	SCREW M10x130 UNI5737	1
27	230080462	NIPPLES M36x1,5- G.1"1/2	1	70	863206002	SCREW M10x20 UNI5739	8
28	410017312	SCREW M8x30 UNI5931	1	71	230077612	BRACKET	4
29	862862002	WASHER DIA.8,4x15x1,5	2	72	843870002	WASHER SCHNORR D.10,5	9
30	803195002	O-RING 2,62x15,08	1	73	814632002	NUT M10 UNI5588	9
31	803209402	GASKET DIA.45x19x1,5	1	74	230079752	MOUNTING RAIL SPACER	1
32	863591002	SCREW M10x85 UNI 5931	8	75	803210732	O-RING 2,62x94,92	3
33	230078612	MOUNTING RAIL	2	76	230086682	VALVE ASSY SUPPORT	3
34	230081092	CRANKCASE	1	77	230084432	VALVE ASSY SPACER	3
35	802134502	OIL SEAL	1	78	230091262	SHAFT "VC"	1
36	803209802	O-RING 2,62x50,47	1	78	230092262	SHAFT "VM"	1
36	803209852	O-RING 2,62x50,47 (KIT VITON)	1	79	802264102	OIL SEAL	1
37	803210682	O-RING 2,62x120,32	1	80	801377002	RING	1
37	803210692	O-RING 2,62x120,32 (KIT VITON)	1	90	861611002	AIR VALVE NUT (FROM 01-19)	1
38	230212092	CRANKCASE COVER	1	91	862852002	SCREW M8x45 (FROM 01-19)	4
39	862216002	SCREW M6x25 UNI5931	6	92	861609002	AIR VALVE (FROM 01-19)	1
40	862108002	SCREW M6x16 UNI5931	2	93	843685002	WASHER D.8,4x15x1,5 (FROM 01-19)	4
41	311516092	ADJUSTING KIT G.3/4	1	94	110183322	BALLASTER COVER (FROM 01-19)	1
42	803218002	O-RING 3,0x22	1	95	100041312	SUP. BALLASTER DIAPHRAGM (FROM 01-19)	1
43	845544102	LEFT TAP G.3/8-G.1/2	1	96	230094312	INF.BALLASTER DIAPHRAGM (FROM 01-19)	1