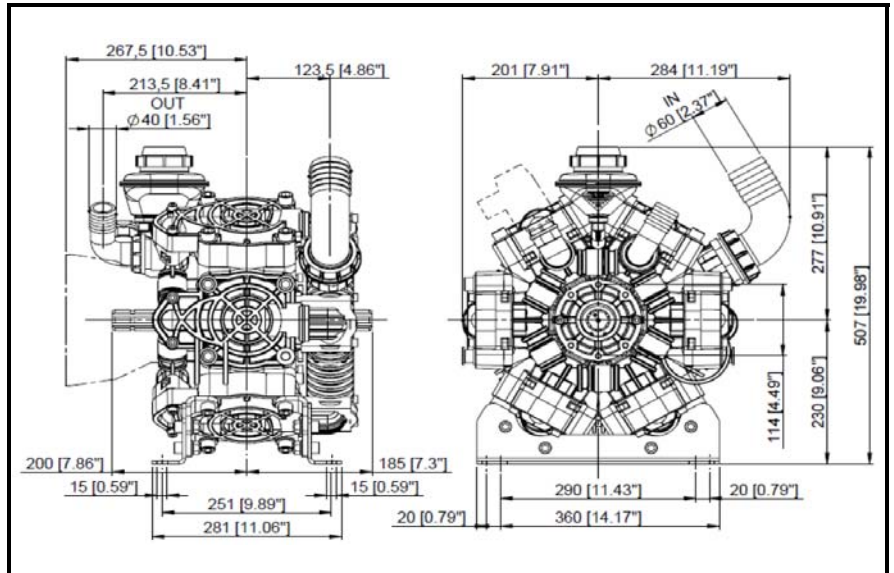
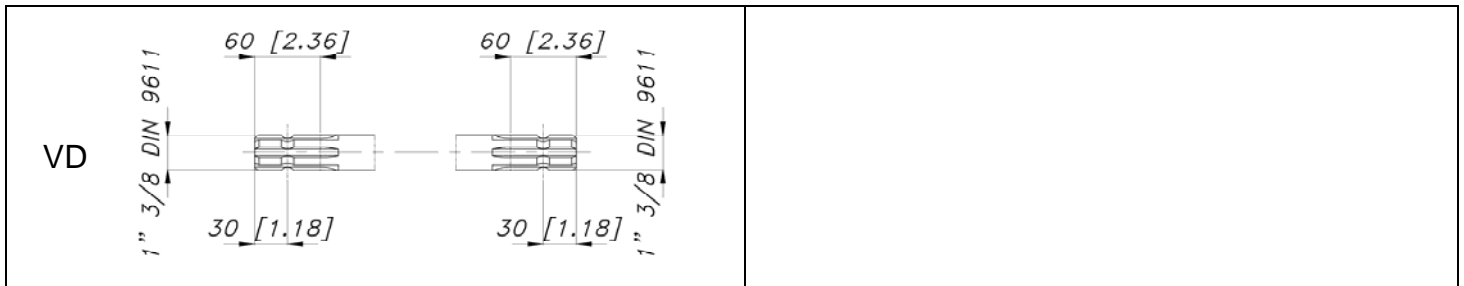


DIMENSIONI D'INGOMBRO - OVERALL DIMENSIONS



ALBERO POMPA - PUMP SHAFT



COPPIA DI SERRAGGIO - TORQUE CHART

| CODICE - CODE | Q.TY | POS | N-m | Lbr.ft |
|---------------|------|-----|-----|--------|
| 86.2562.20.2 | 8 | 15 | 22 | 16,2 |
| 15.0111.51.2 | 6 | 27 | 50 | 36,9 |
| 86.2914.00.2 | 12 | 61 | 10 | 7,4 |
| 86.4252.10.2 | 16 | 63 | 70 | 51,6 |
| 86.3696.05.2 | 8 | 45 | 70 | 51,6 |
| 86.4253.10.2 | 8 | 47 | 70 | 51,6 |
| 86.2216.20.2 | 2 | 32 | 10 | 7,4 |
| 86.2216.20.2 | 2 | 36 | 10 | 7,4 |
| 86.3044.05.2 | 12 | 69 | 22 | 16,2 |
| 86.3694.65.2 | 1 | 17 | 70 | 51,6 |
| 86.2547.00.2 | 2 | 77 | 10 | 7,4 |

Tolleranza di serraggio: 0/-10%
Tolerance on torque value: 0/-10%

INFORMAZIONI UTILI
USEFUL INFORMATION

LUBRIFICANTE- LUBRICANT:

OLIO MOTORE O SEMIIDRAULICO SAE 30
MOTOR OIL OR SEMI-HYDRAULIC OIL SAE 30

PRESSIONE ACCUMULATORE (BAR)
ACCUMULATOR PRESSURE (BAR=)

| PRESSIONE DI LAVORO - OPERATING PRESSURE | 2 ÷ 5 | 5 ÷ 10 | 10 ÷ 20 | 20 ÷ 50 |
|--|-------|--------|---------|---------|
| ACCUMULATORE ACCUMULATOR | 3 | 5 | / | / |

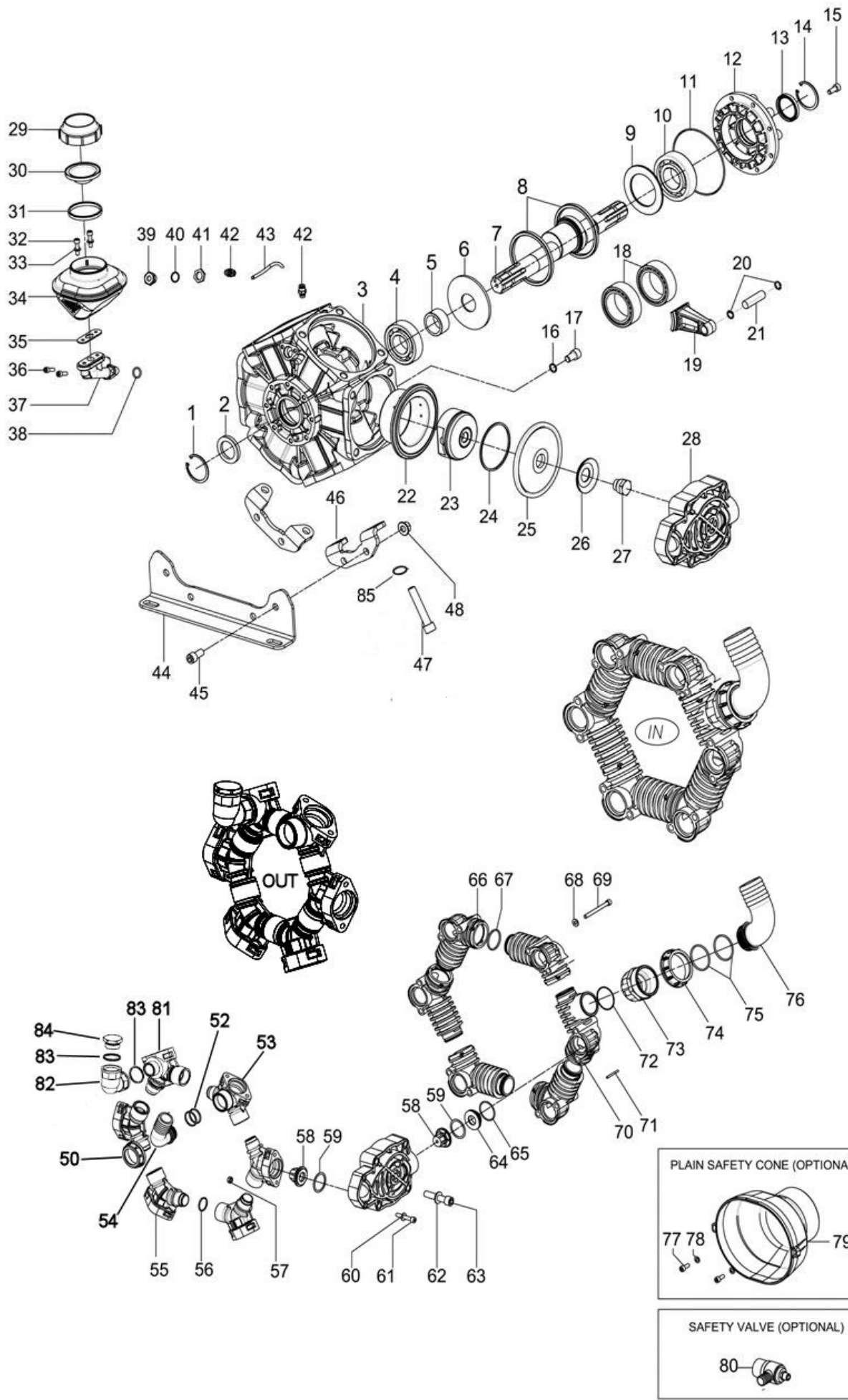
KIT MEMBRANE - DIAPHRAGMS KIT

| KIT | 15.9805.97.3DS | PRE-SET DURAMAX | | 15.9805.97.3 | PRE-SET DESMOPAN | |
|--|----------------|-----------------|----|--------------|------------------|----|
| | | 25 | 59 | | 25 | 59 |
| POSIZIONE ESPLOSO POSITION NUMBER | | | | | | |
| QUANTITA' NEL KIT QUANTITIES INCLUDED | | 6 | 12 | | 6 | 12 |

KIT POMPA/KIT VALVOLE - PUMP KIT/VALVES KIT

| KIT | 15.9806.97.3 | KIT POMPA VD VD PUMP KIT | | | | | | | | | | 15.9812.97.3 | VALVOLE 303 VALVES 303 | | | 14.9706.97.3 | VALVOLE 316 VALVES 316 | | | | |
|--|--------------|-----------------------------|----|----|----|----|----|----|----|----|----|--------------|---------------------------|----|----|--------------|---------------------------|----|----|----|--|
| | | 2 | 11 | 13 | 59 | 65 | 35 | 38 | 56 | 67 | 72 | | 40 | 58 | 59 | | 65 | 58 | 59 | 65 | |
| POSIZIONE ESPLOSO POSITION NUMBER | | | | | | | | | | | | | | | | | | | | | |
| QUANTITA' NEL KIT QUANTITIES INCLUDED | | 1 | 1 | 1 | 12 | 6 | 1 | 1 | 6 | 6 | 1 | 1 | 12 | 12 | 6 | | | | | | |

POLY 2400.1 VD



POLY 2400.1 VD

| POS. | CODICE PART NO. REF. | DENOMINAZIONE - DESCRIPTION - DESCRIPTION | Q.TY | POS. | CODICE PART NO. REF. | DENOMINAZIONE - DESCRIPTION - DESCRIPTION | Q.TY |
|------|----------------------------|--|------|------|----------------------------|--|------|
| 1 | 80.1369.00.2 | RING DIA.52 | 1 | 43 | 15.0113.00.2 | FLEXIBLE PIPE DIA.6mm | 1 |
| 2 | 80.2143.10.2 | OIL SEAL DIA.35X52X7 | 1 | 44 | 15.0106.61.A | MOUNTING RAIL | 2 |
| 3 | 15.0120.07.2 | CRANKCASE | 1 | 45 | 86.3696.05.2 | BOLT M12X25 UNI 5931 | 8 |
| 4 | 81.2867.00.2 | BALL BEARING DIA.35X80X21 | 1 | 46 | 15.0105.61.A | MOUNTING RAIL BRACKET | 4 |
| 5 | 49.0017.61.2 | SPACER | 1 | 47 | 86.4256.00.2 | BOLT M14X85 UNI 5931 | 8 |
| 6 | 49.0009.61.2 | SPACER | 1 | 48 | 81.4706.10.2 | NUT M12 | 8 |
| 7 | 15.0123.26.2 | CRANKSHAFT VD (1" 3/8 M-M) | 1 | 49 | 85.2585.00.2 | CAP G.3/8" | 1 |
| 8 | 49.0010.41.2 | CONROD RING | 2 | 50 | 82.0071.30.2 | WING NUT G.1" 1/2 | 1 |
| 9 | 49.0002.61.2 | SPACER | 1 | 52 | 80.3219.15.2 | O-RING DIA.3X30 VITON | 2 |
| 10 | 81.2913.00.2 | BALL BEARING DIA.40X90X23 | 1 | 53 | 15.0127.32.2 | OUTLET PIPE MANIFOLD G.1" 1/2 | 1 |
| 11 | 80.3210.68.2 | O-RING DIA.2,62X120,32 | 1 | 54 | 84.0591.00.2 | 90° ELBOW CONNECTOR DIA.40mm | 1 |
| 12 | 48.0034.09.2 | BEARING COVER | 1 | 55 | 15.0125.32.2 | OUTLET PIPE MANIFOLD | 4 |
| 13 | 80.2178.10.2 | OIL SEAL DIA.40X52X7 | 1 | 56 | 80.3208.15.2 | O-RING D.2,62x32,99 VITON | 6 |
| 14 | 80.1369.00.2 | RING DIA.52 | 1 | 57 | 81.4573.00.2 | NUT M8 UNI 5588 | 12 |
| 15 | 86.3212.05.2 | SCREW TCEI M10X20 UNI 5931 | 8 | 58 | 28.9905.97.3 | VALVE ASSY INOX AISI 316 (STD.) | 12 |
| 16 | 82.4066.00.2 | COPPER WASHER | 1 | 58 | 28.9809.97.3 | VALVE ASSY INOX AISI 303 (OPT.) | 12 |
| 17 | 86.3694.65.2 | BOLT M12X20 UNI 5931 | 1 | 59 | 80.3314.50.2 | O-RING DIA.4,5X40 VITON | 12 |
| 18 | 81.2955.00.2 | BEARING DIA.63X80X25 | 2 | 60 | 84.3697.00.2 | WASHER DIA.8,4X18X2 UNI 1734 | 12 |
| 19 | 15.0108.11.2 | CONROD | 6 | 61 | 86.2914.00.2 | BOLT M8X50 UNI 5931 | 12 |
| 20 | 80.0021.00.2 | CONROD RING | 12 | 62 | 84.3913.20.2 | WASHER D.15x28x2,5 UNI 6592 | 16 |
| 21 | 85.2007.00.2 | PISTON PIN | 6 | 63 | 86.4252.10.2 | BOLT M14X80 UNI 5931 | 16 |
| 22 | 15.0121.01.2 | PISTON SLEEVE | 6 | 64 | 28.0229.32.2 | VALVE SPACER | 6 |
| 23 | 15.0110.09.2 | PISTON | 6 | 65 | 80.3209.30.2 | O-RING DIA.2,62X42,52 VITON | 6 |
| 24 | 81.8550.00.2 | PISTON RING | 6 | 66 | 14.0029.32.2 | INLET PIPE MANIFOLD | 5 |
| 25 | 15.0040.00.ADS | PRE-SET DURAMAX PISTON DIAPHRAGM (STD) | 6 | 67 | 80.3264.50.2 | O-RING DIA.3,53x44,04 VITON | 6 |
| 25 | 15.0040.00.A | PRE-SET DESMOPAN PISTON DIAPHRAGM (OPT) | 6 | 68 | 84.3697.00.2 | WASHER DIA.8,4X18X2 UNI 1734 | 12 |
| 26 | 15.0112.68.2 | DIAPHRAGM DISK | 6 | 69 | 86.3044.05.2 | BOLT M8X90 UNI 5931 | 12 |
| 27 | 15.0111.51.2 | DIAPHRAGM SCREW | 6 | 70 | 14.0032.32.2 | INLET PIPE MANIFOLD G.2" | 1 |
| 28 | 15.0124.32.2 | PUMP HEAD | 6 | 71 | 25.0606.51.2 | FORK Ø4 - INT. 47 | 6 |
| 29 | 28.0144.32.2 | OIL FILLER CAP | 1 | 72 | 80.3080.41.2 | O-RING DIA.1,78x53,7 VITON | 1 |
| 30 | 41.0017.31.2 | OIL FILLER DIAPHRAGM | 1 | 73 | 14.0119.32.2 | NIPPLES G.2"-G.2" 1/2 | 1 |
| 31 | 14.0116.32.2 | DIAPHRAGM SPACER | 1 | 74 | 82.0122.00.2 | WING NUT G.2" 1/2 | 1 |
| 32 | 86.2216.20.2 | BOLT M6X25 UNI 5931 | 2 | 75 | 80.3278.10.2 | O-RING DIA.3,53X55,56 VITON | 2 |
| 33 | 84.3585.00.2 | WASHER UNI 6592 | 2 | 76 | 84.0612.00.2 | 90° ELBOW CONNECTOR DIA.60mm | 1 |
| 34 | 40.9812.97.3 | OIL FILLER | 1 | 77 | 86.2547.50.2 | BOLT M6X18 UNI 5931 (OPT) | 2 |
| 35 | 14.0017.72.2 | OIL FILLER GASKET | 1 | 78 | 84.3685.40.2 | WASHER DIA.8,2X15X1,5 (OPT) | 2 |
| 36 | 86.2216.20.2 | BOLT M6X25 UNI 5931 | 2 | 79 | 31.1482.32.2 | PLAIN SAFETY CONE 180mm (OPT) | 1 |
| 37 | 15.0104.07.2 | OIL FILLER FLANGE | 1 | 80 | 24.3115.97.3 | SAFETY VALVE 15 BAR (OPT) | 1 |
| 38 | 80.3181.00.2 | O-RING DIA.2,62X15,54 | 1 | 81 | 15.0126.32.2 | OUTLET PIPE MANIFOLD G.1"-M | 1 |
| 39 | 15.0115.54.2 | CONNECTOR G.3/8" | 1 | 82 | 84.0527.00.2 | CONNECTOR 90° G.1" F.F. | 1 |
| 40 | 80.3090.00.2 | O-RING DIA.2x16 | 1 | 83 | 80.3250.10.2 | O-RING 3,53x31,34 VITON | 1 |
| 41 | 05.0116.53.2 | RING G.3/8" | 1 | 84 | 85.2720.00.2 | CAP G.1 | 1 |
| 42 | 84.0400.00.2 | CONNECTOR FOR PIPE DIA.6mm | 2 | 85 | 84.3894.00.2 | SCHNORR WASHER 15x22x1,2 | 8 |