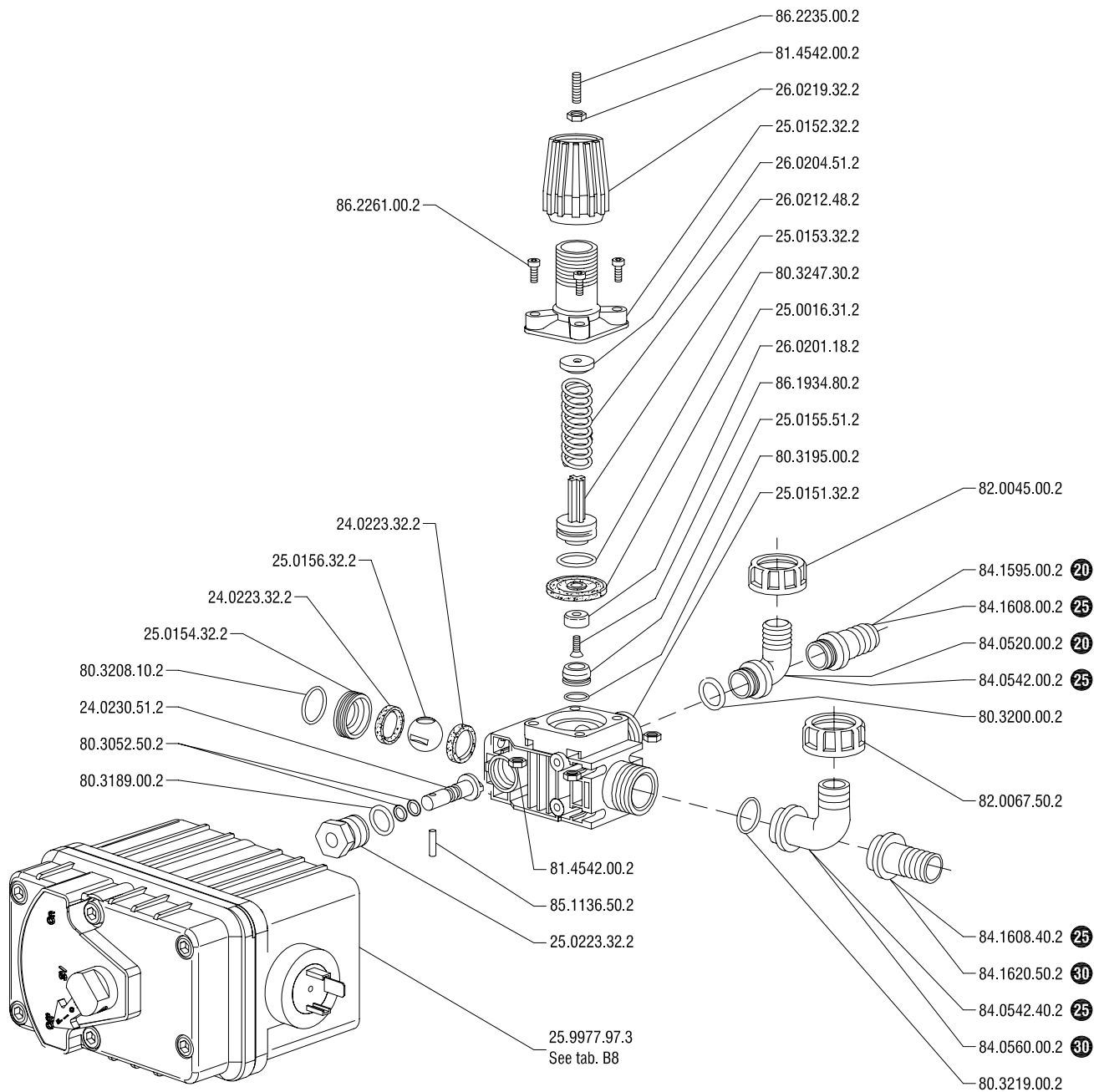
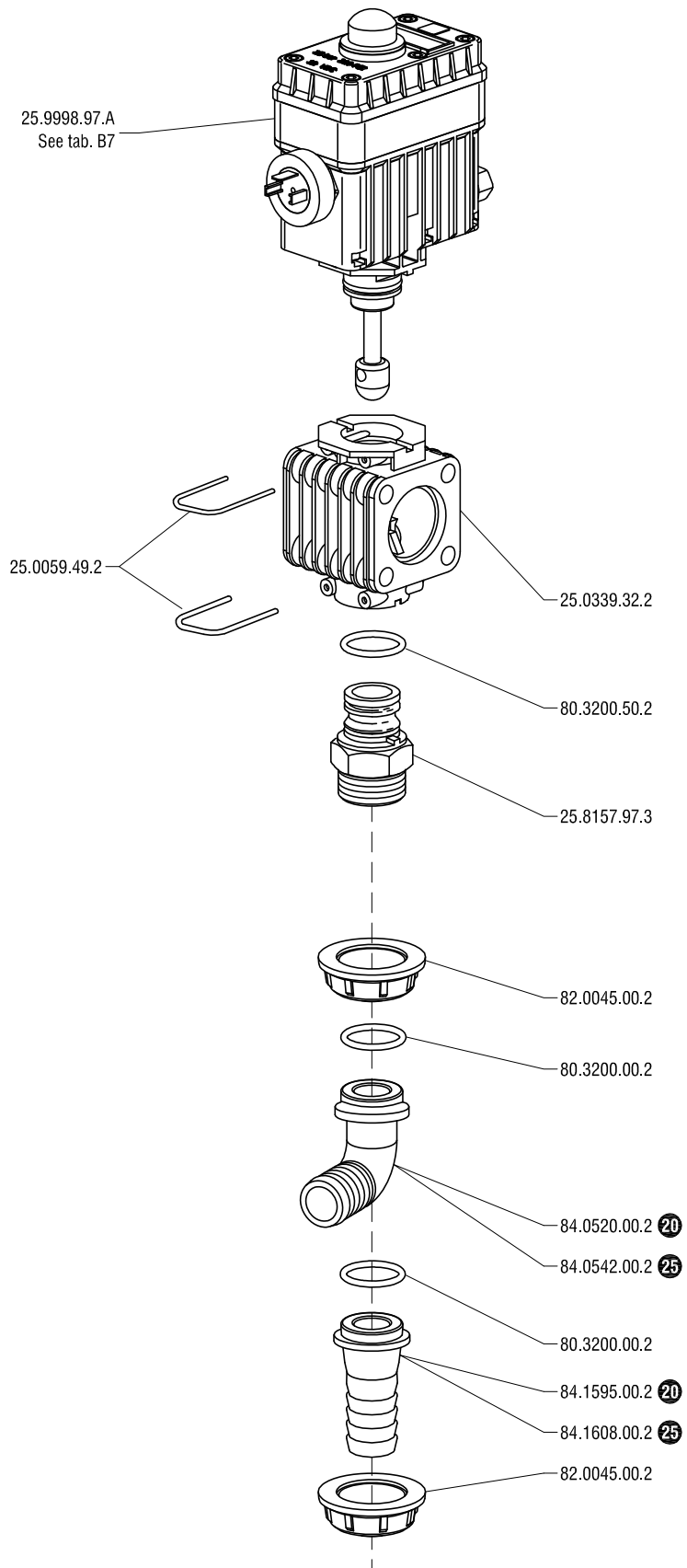
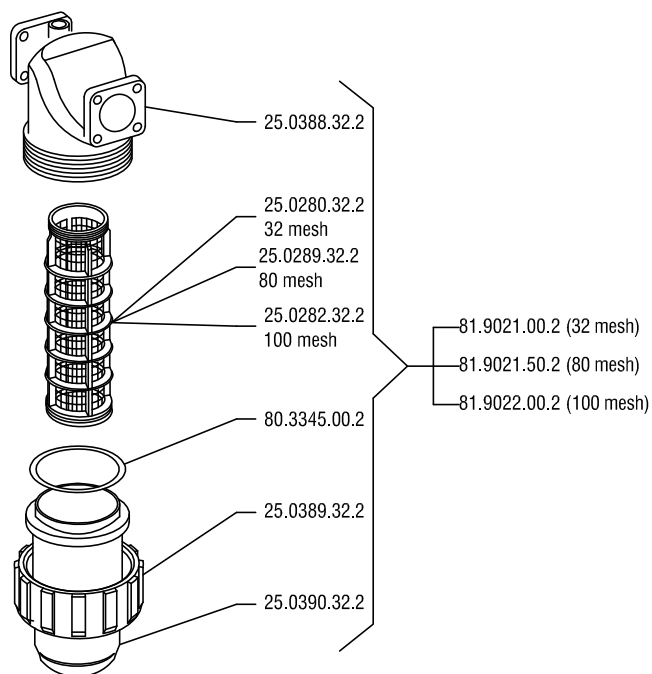


Regulating unit

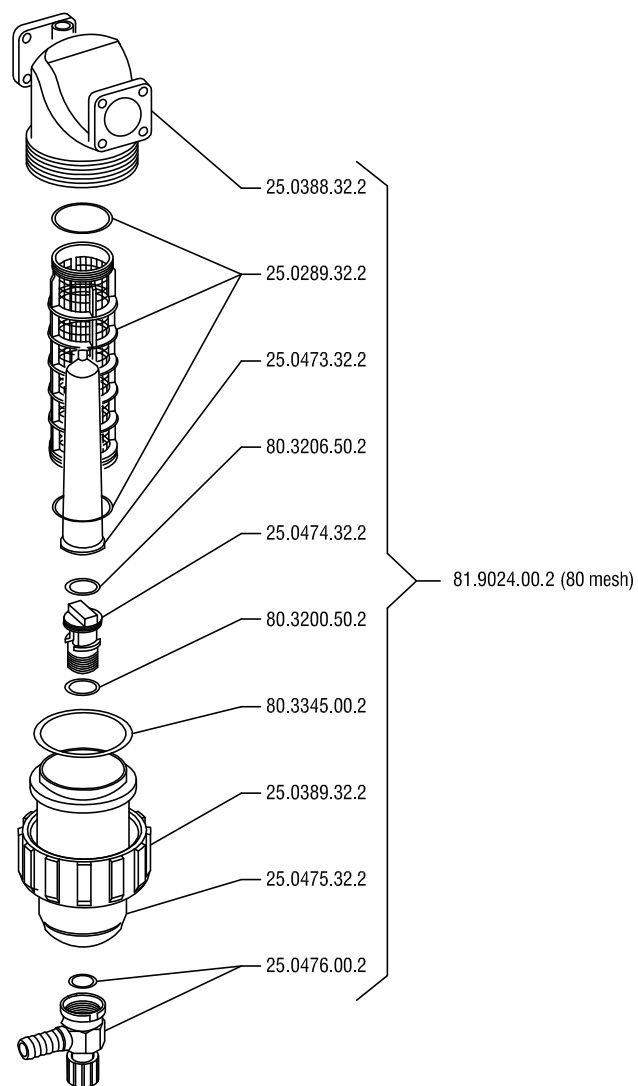




Standard

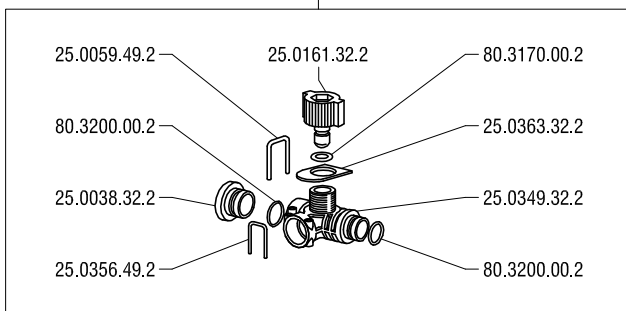


Selfcleaning

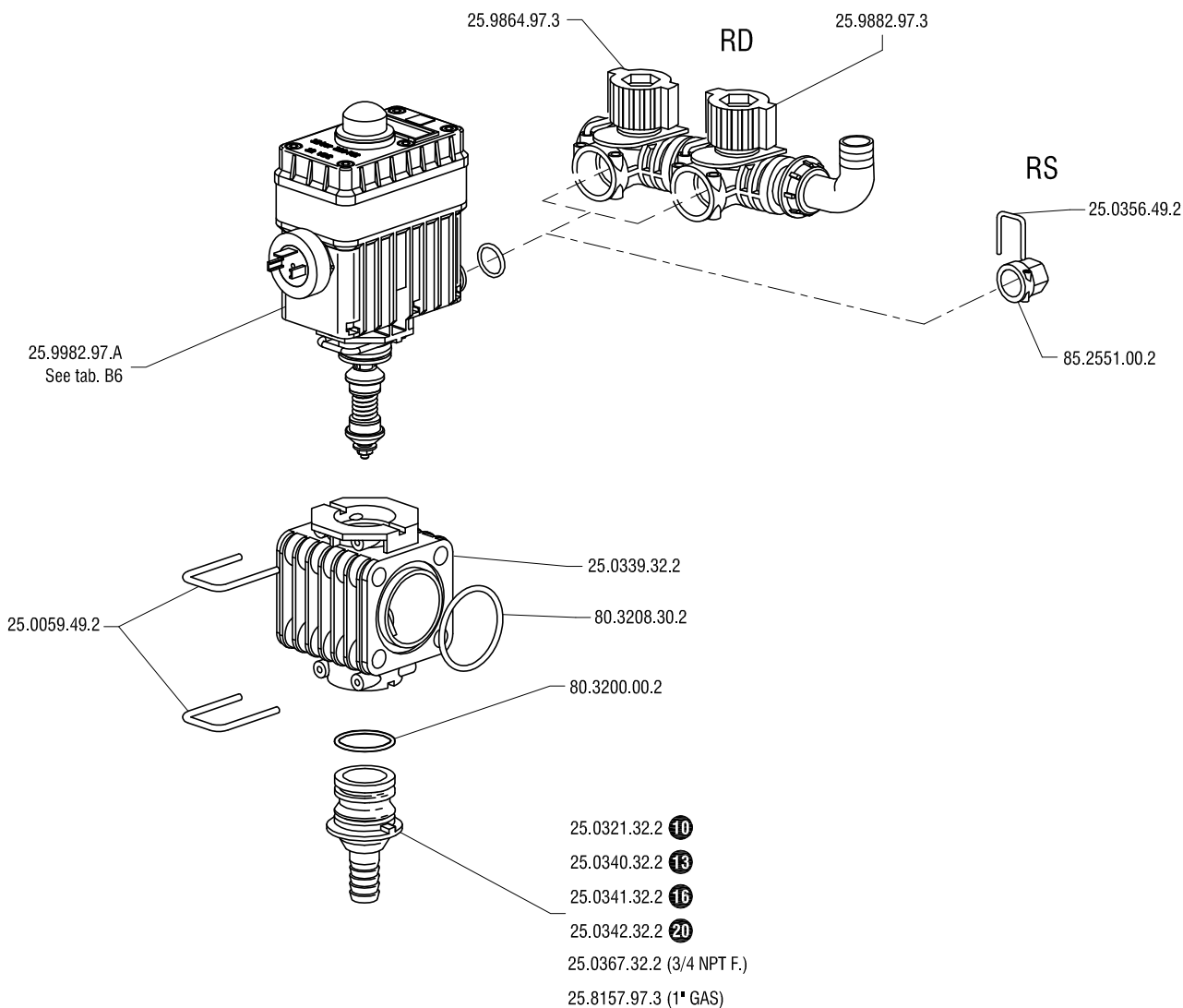
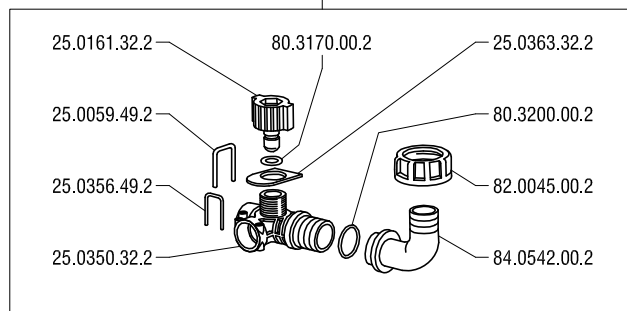


RD motor powered valve

Kit by-pass intermedio
25.9864.97.3
Intermediate by-pass kit



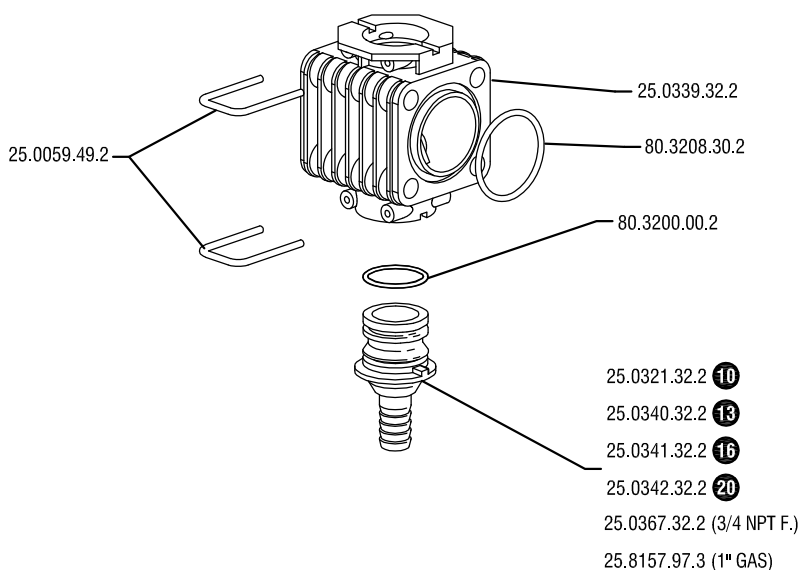
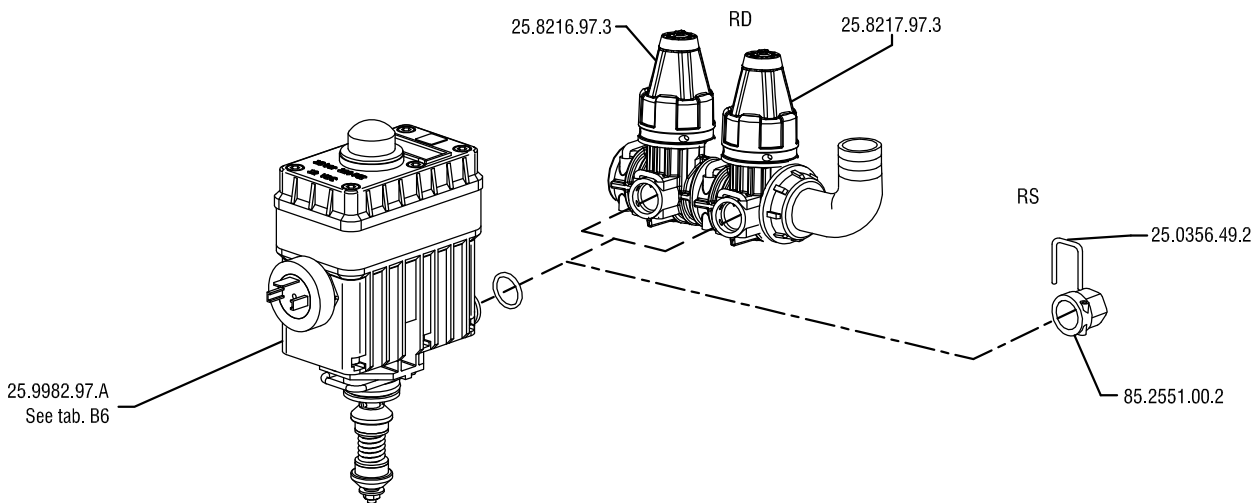
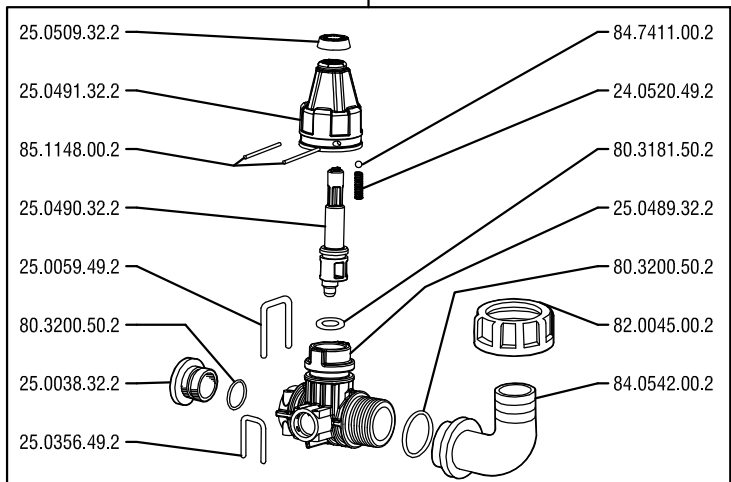
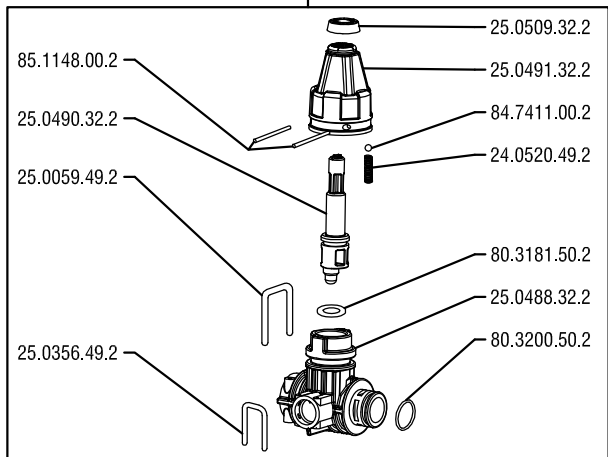
Kit by-pass terminale
25.9882.97.3
Terminal by-pass kit



RD motor powered valve

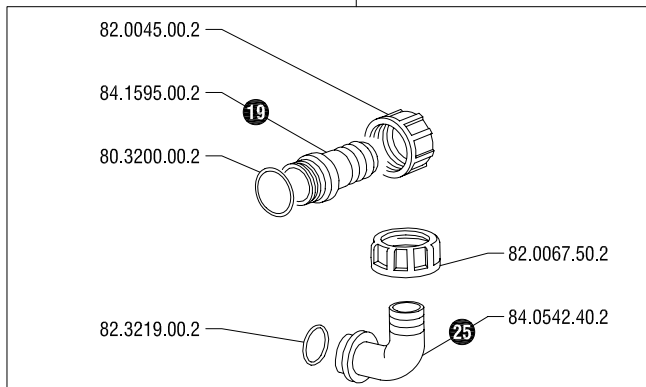
Kit by-pass intermedio
25.8216.97.3
Intermediate by-pass kit

Kit by-pass terminale
25.8217.97.3
Terminal by-pass kit

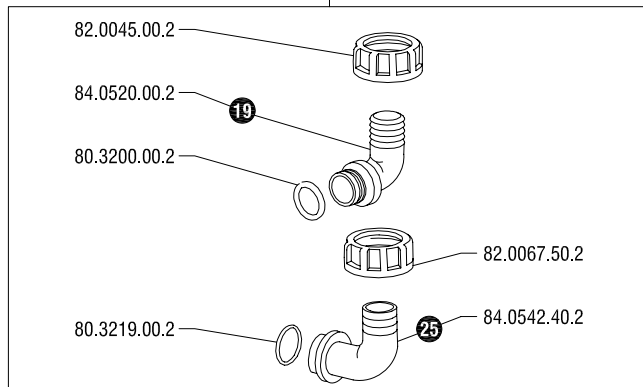


Inlet and by-pass fitting kits

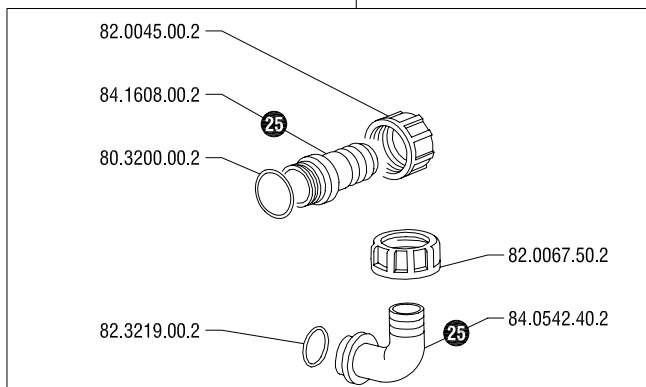
25.1925.97.3



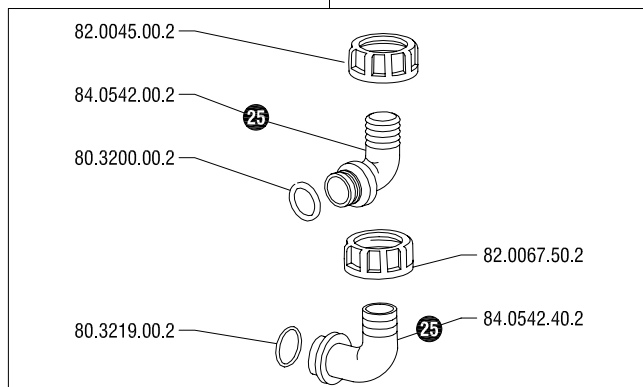
25.1926.97.3



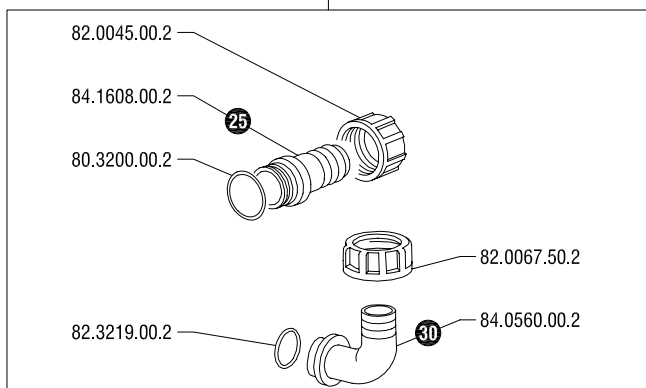
25.2525.97.3



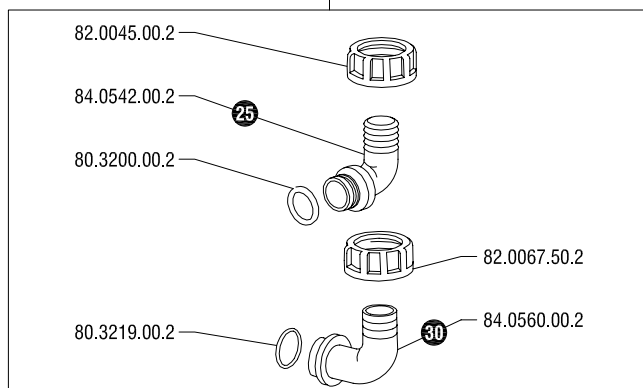
25.2526.97.3

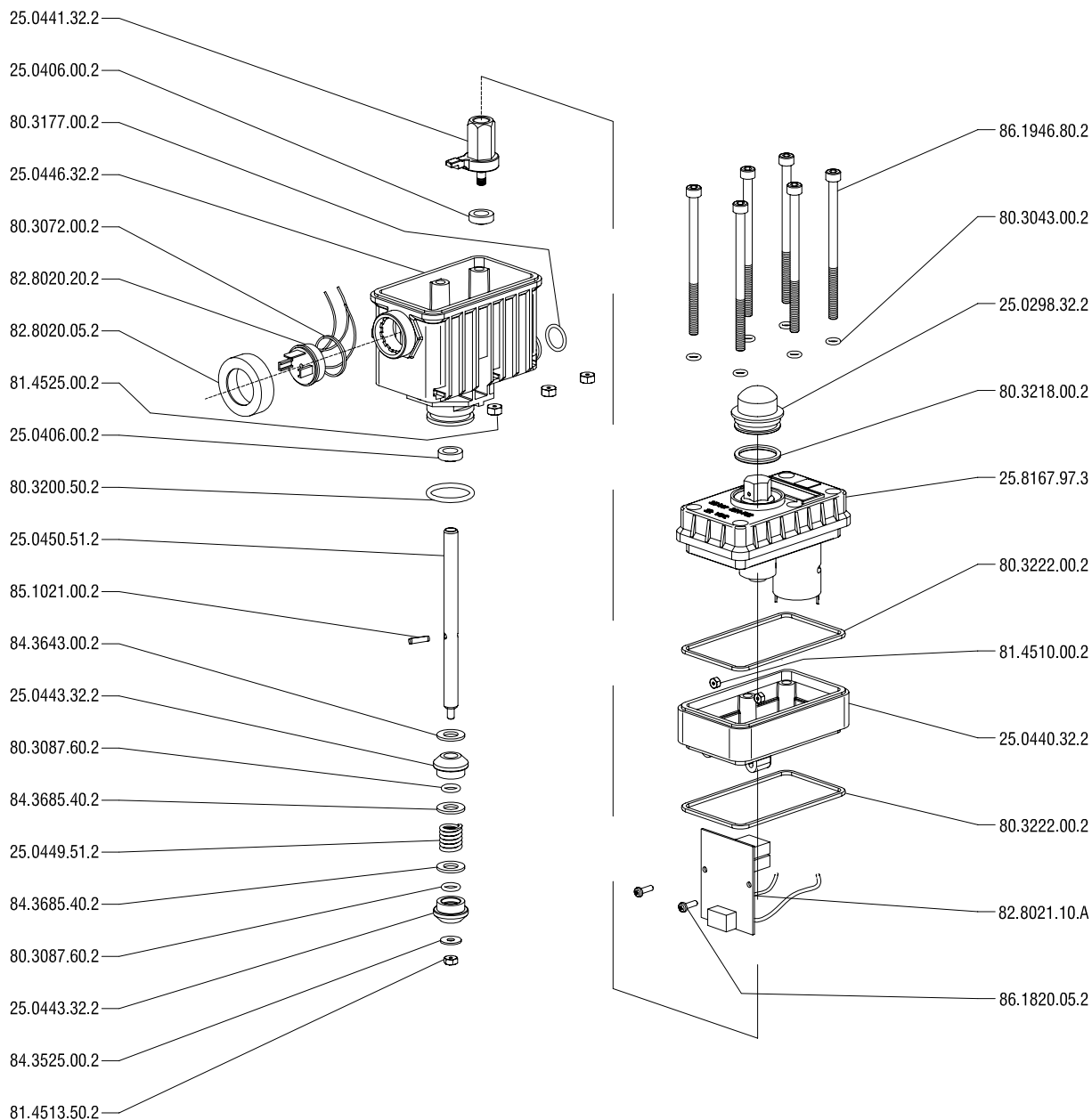


25.2530.97.3



25.2531.97.3





MOTOR POWERED MULTICONTROL Motoriduttore VV (9" BLU - 5" VERDE)

Section: **B**

Motor powered volumetric valve (9" BLUE - 5" GREEN)

Table: **B7**

