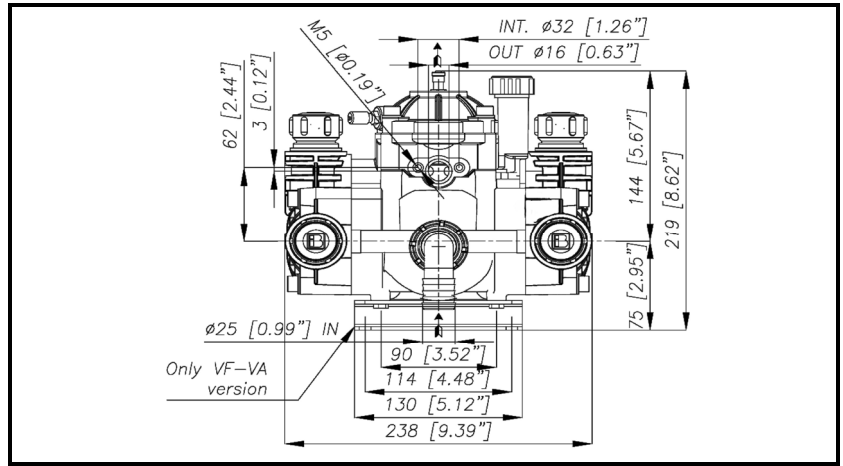
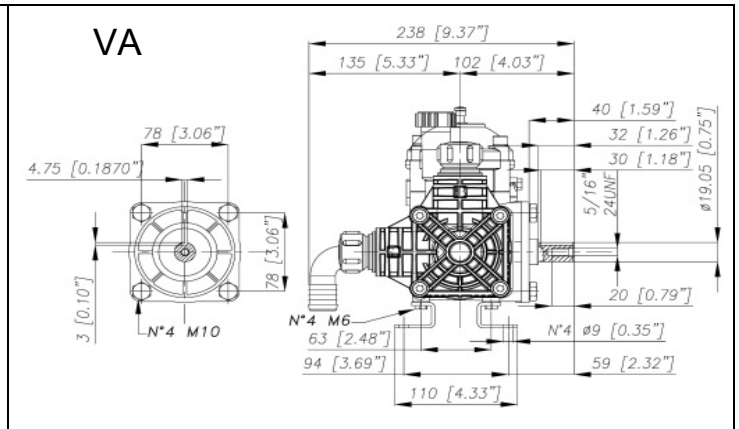
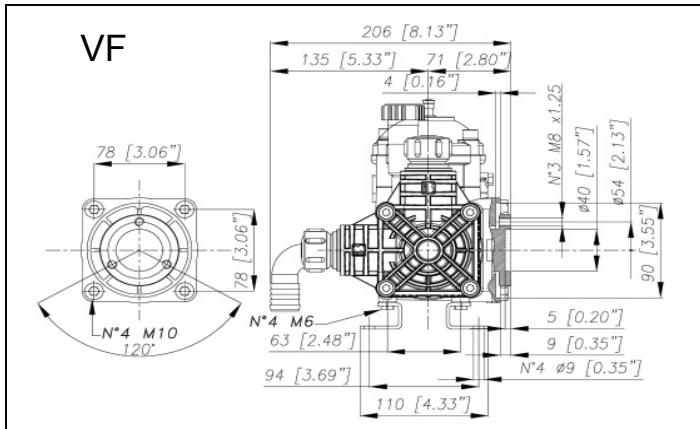


## DIMENSIONI D'INGOMBRO - OVERALL DIMENSIONS



## ALBERO POMPA - PUMP SHAFT



### COPPIA DI SERRAGGIO - TORQUE CHART

CODICE - CODE	Q.TY	POS	N-m	Lbr.ft
94.0419.32.2	4	6	10	7.4
86.2951.00.2	2	10	10	7.4
86.1606.00.2	1	12	5	3.7
86.2900.00.2	8	22	12	8.8
03.0021.97.3	2	25	5(*)	3.7
86.2945.00.2	2	38	10	7.4
86.1948.00.2	1	47	6	4.4
86.2086.00.3	4	65	10	7.4
86.3185.00.2	4	70	40	29.5
86.3185.00.2	4	77	40	29.5
Tolleranza di serraggio - Tolerance on torque value:			0/-10%(*)	
Tolleranza di serraggio - Tolerance on torque value:			0/-20%	

### INFORMAZIONI UTILI USEFUL INFORMATION

#### LUBRIFICANTE- LUBRICANT:

**POMPA - PUMP:**  
OLIO MOTORE O SEMIIDRAULICO SAE 30  
MOTOR OIL OR SEMI-HYDRAULIC OIL SAE 30

#### PRESSIONE ACCUMULATORE ACCUMULATOR PRESSURE

PRESSIONE DI LAVORO - OPERATING PRESSURE	ACCUMULATOR PRESSURE			
	2 + 5	5 + 10	10 + 20	20 + 50
ACCUMULATORE ACCUMULATOR	2	2 + 5	5 + 7	/

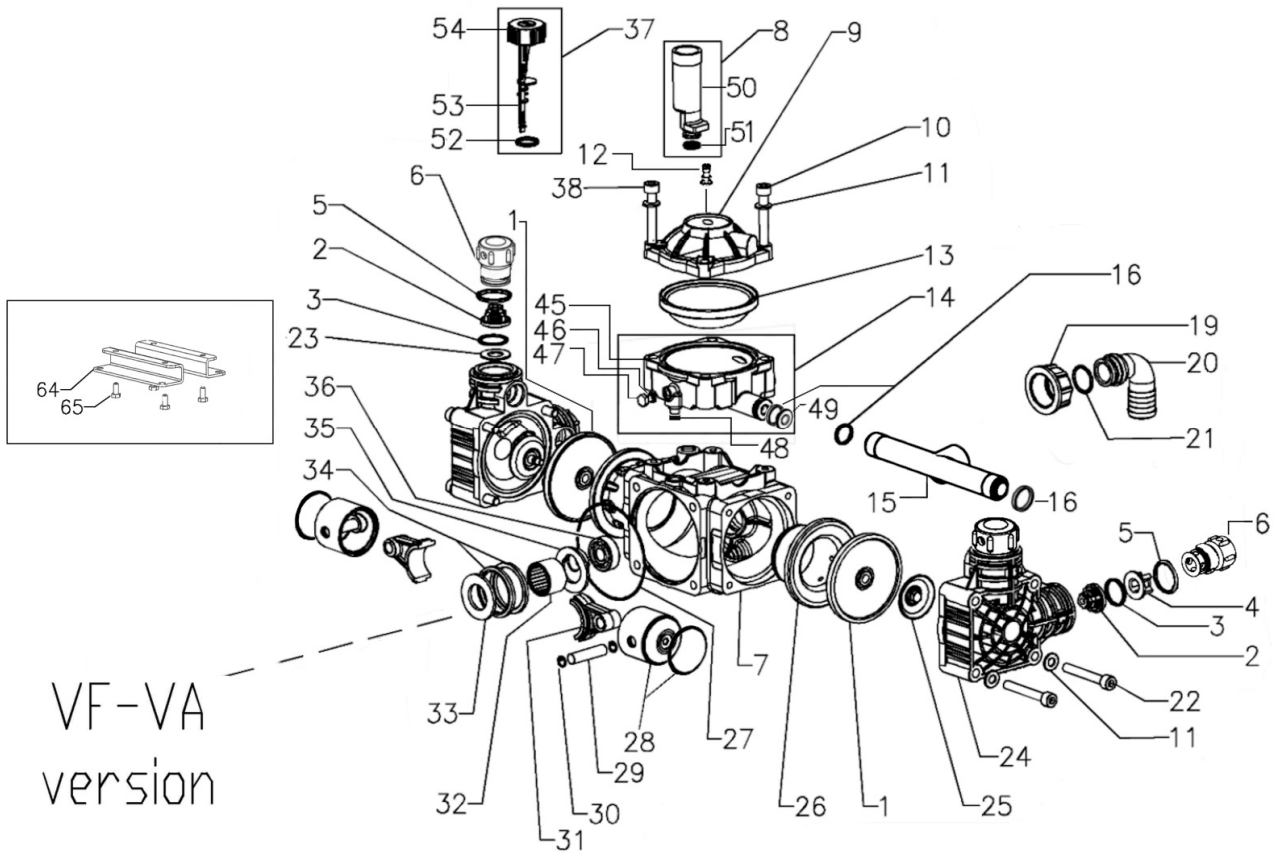
### KIT MEMBRANE - DIAPHRAGMS KIT

KIT	BUNA - N			VITON					PRE-SET DESMOPAN					PRE-SET DURAMAX				
	1	13	16	1	13	16	3	5	1	13	16	3	5	1	13	16	3	5
POSIZIONE ESPLOSO POSITION NUMBER	94.9871.97.3			94.9943.97.3					94.9918.97.3					94.9918.97.3DS				
QUANTITA' NEL KIT QUANTITIES INCLUDED	2	1	4	2	1	4	4	4	2	1	4	4	4	2	1	4	4	4

### KIT POMPA/KIT VALVOLE - PUMP KIT/VALVES KIT

KIT	KIT POMPA PUMP KIT						KIT VALVOLE VALVE KIT			
	16	46	48	51	3	27	2	3	4	5
POSIZIONE ESPLOSO POSITION NUMBER	94.9942.97.3						94.9944.97.3			
QUANTITA' NEL KIT QUANTITIES INCLUDED	4	1	1	1	4	1	4	4	2	4

# POLY 2025.1 HP VF - VA



VERSIONS					OPTIONAL														
VA (D.3/4" M)					VF														
POS.	CODICE PART NO. REF.	DENOMINAZIONE - DESCRIPTION - DESCRIPTION	Q.TY	CONF. PACK.	POS.	CODICE PART NO. REF.	DENOMINAZIONE - DESCRIPTION - DESCRIPTION	Q.TY	CONF. PACK.										
1	94.0040.31.2	BUNA-N PISTON DIAPHRAGM (OPT.)	2		33	94.0027.32.2	SPACER	1											
1	94.0042.00.2	PRE-SET DESMOPAN PIST.DIAPHRAGM (OPT.)	2		34	94.0047.76.2	CONROD RING	2	▲										
1	94.0042.00.2DS	PRE-SET DURAMAX PIST.DIAPHRAGM (STD)	2		35	94.0392.32.2	SHAFT SPACER	1											
1	94.0040.33.2	VITON PISTON DIAPHRAGM (OPT.)	2		36	81.2522.00.2	BALL BEARING	1											
2	03.9821.97.3	VALVE ASSY	4		37	94.9855.97.3	KIT OIL INDICATOR	1											
3	80.3200.50.2	O-RING	4	▲	38	86.2945.00.2	SCREW [10Nm - 7,4lb-ft]	2	●										
4	94.0389.32.2	SPACER INLET VALVE	2		45	94.0316.32.2	LOWER DAMPER	1											
5	80.3205.55.2	O-RING	4	▲	46	80.3049.00.2	O-RING	1	●										
6	94.0419.32.2	CAP [10Nm - 7,4lb-ft]	4		47	86.1948.00.2	SCREW [6Nm - 4,4lb-ft]	1	●										
7	94.0301.09.2	CRANKCASE	1		48	80.3170.00.2	O-RING	1	●										
8	94.9866.97.3	KIT OIL FILLER	1		49	80.3170.00.3	BUSHING	2											
9	94.0003.09.2	DAMPER COVER	1		50	94.0307.32.2	OIL TANK	1											
10	86.2951.00.2	SCREW [10Nm - 7,4lb-ft]	2	▲	51	80.3213.50.2	O-RING	1	●										
11	84.3685.00.2	WASHER	12	●	52	80.3181.00.2	O-RING	1	●										
12	86.1606.00.2	AIR VALVE (FROM 05/2017)[5Nm - 3,7lb-ft]	1		53	94.0353.32.2	OIL LEVEL DIP	1											
13	94.0041.31.2	DAMPER DIAPHRAGM	1		54	85.2698.00.2	CAP 3/4"	1											
13	94.0041.33.2	DAMPER DIAPHRAGM VITON (OPT.)	1		64	94.0420.61.2	MOUNTING RAIL	2											
14	94.9867.97.3	LOWER DAMPER BODY	1		65	86.2086.00.2	SCREW [10Nm - 7,4lb-ft]	4	●										
15	94.0421.32.2	INLET MANIFOLD	1		79	24.3202.97.3	SAFETY VALVE 15BAR (OPTIONAL)	1											
16	80.3181.10.2	O-RING	4	▲	<b>VA</b>														
19	82.0045.50.2	WING NUT G.1	1	▲	66	80.6436.00.2	TAB	1	▲										
20	84.0526.00.2	SUCTION CONNECTOR	1		67	94.0395.26.2	SHAFT VA	1											
21	80.3195.50.2	O-RING	1	▲	68	81.2725.00.2	BEARING	1											
22	86.2900.00.2	SCREW [12Nm - 8,85lb-ft]	2	●	69	94.0336.09.2	FLANGE VA	1											
23	94.0397.68.2	WASHER	8	▲	70	86.3185.00.2	SCREW [40Nm - 29,5lb-ft]	4	▲										
24	94.0390.32.2	PUMP HEAD	2		71	80.2099.90.2	OIL SEAL	0											
25	03.0021.97.3	KIT DIAP.WASH./SCREW.INOX [5Nm - 3,7lb-ft](*)	2		72	80.1369.00.2	RING	1	●										
26	94.0015.01.2	PISTON SLEEVE	2		<b>VF</b>														
27	80.3080.90.2	O-RING	1	●	73	80.1264.00.2	RING	1	●										
28	94.0116.09.3	PISTON WITH PISTON RING	2		74	81.2837.00.2	BEARING	1											
29	85.2006.00.2	PISTON PIN	2		75	80.2178.10.2	OIL SEAL	1											
30	80.0003.00.2	SNAP RING DIA.10	4	●	76	94.0326.09.2	FLANGE VF	1											
31	94.0008.09.2	CONROD	2		77	86.3185.00.2	SCREW [40Nm - 29,5lb-ft]	4	▲										
32	81.2688.00.2	BEARING	1		78	94.0335.26.2	SHAFT VF	1											
<b>FRONT SAFETY CONE (OPTIONAL)</b>					<b>REAR SAFETY CONE (OPTIONAL)</b>														
A	31.1482.32.2	PLAIN SAFETY CONE L=185	1		A	/	/	/	/										
B	/	USE STANDARD SCREW OF PUMP	4		B	/	/	/	/										
C	/	USE SPECIAL WASHER OF PLAIN SAFETY C.	4		C	/	/	/	/										

Torque values are indicated between brackets [ ]. General Tolerance on torque value: 0/-20% . Tolerance on torque value: 0/-10%(\*)  
 The components marked with the symbols are supplied in packs: ▲ = 12pcs. ● = 25pcs.