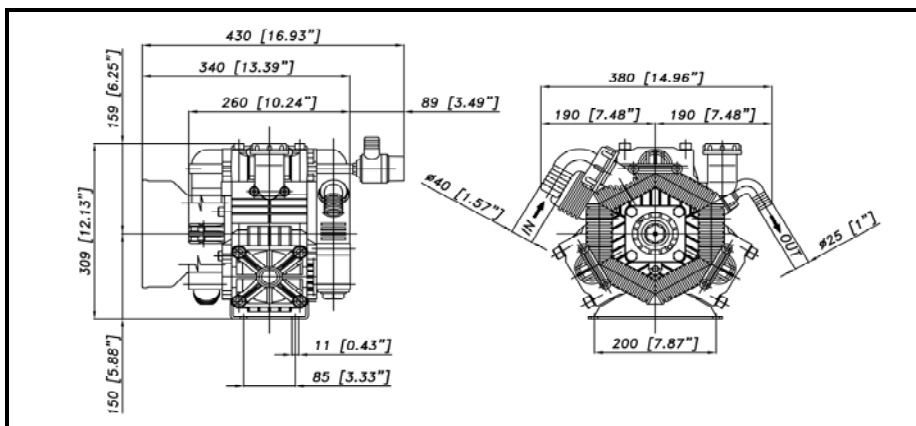
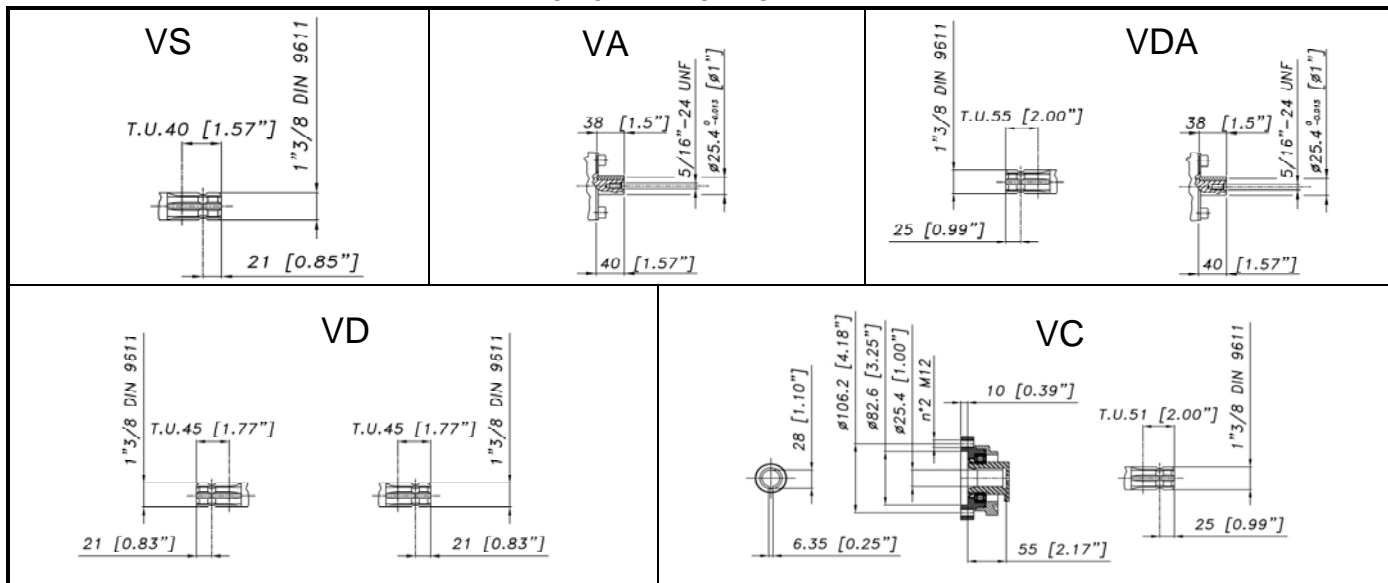


DIMENSIONI D'INGOMBRO - OVERALL DIMENSIONS



ALBERO POMPA - PUMP SHAFT



COPPIA DI SERRAGGIO-TORQUECHART

CODICE - CODE	Q.TY	POS	N.m	Lbr.ft
62.9811.97.3	1	70	25	18,4
62.9818.97.3				
83.5089.00.2	1	49	20	14,7
85.2720.00.2	1	54	20	14,7
86.3264.00.2	4	8	25	18,4
85.2576.00.2	1	47	5 (LOXEAL 24-18)	3,7 (LOXEAL 24-18)
86.2951.05.2	12	40	8	5,9
86.3187.05.2	4	8	25	18,4
86.3255.10.2	3	64	44	32,4
86.4068.50.2	12	30	40	29,5
86.3694.65.2	1	17	40	29,5
86.2731.00.2	2	35	5	3,7
86.2752.50.2	4	60	10	7,4

Tolleranza di serraggio: 0/-10%
Tolerance on torque value:

INFORMAZIONI UTILI
USEFUL INFORMATION

LUBRIFICANTE- LUBRICANT: OLIO MOTORE O SEMIIDRAULICO SAE 30 MOTOR OIL OR SEMI-HYDRAULIC OIL SAE 30				
PRESSIONE ACCUMULATORE ACCUMULATOR PRESSURE				
PRESSIONE DI LAVORO - OPERATING PRESSURE	2 ÷ 5	5÷10	10 ÷ 20	20 ÷ 50
ACCUMULATORE ACCUMULATOR	2	2+5	5+7	6+8

KIT MEMBRANE - DIAPHRAGMS KIT

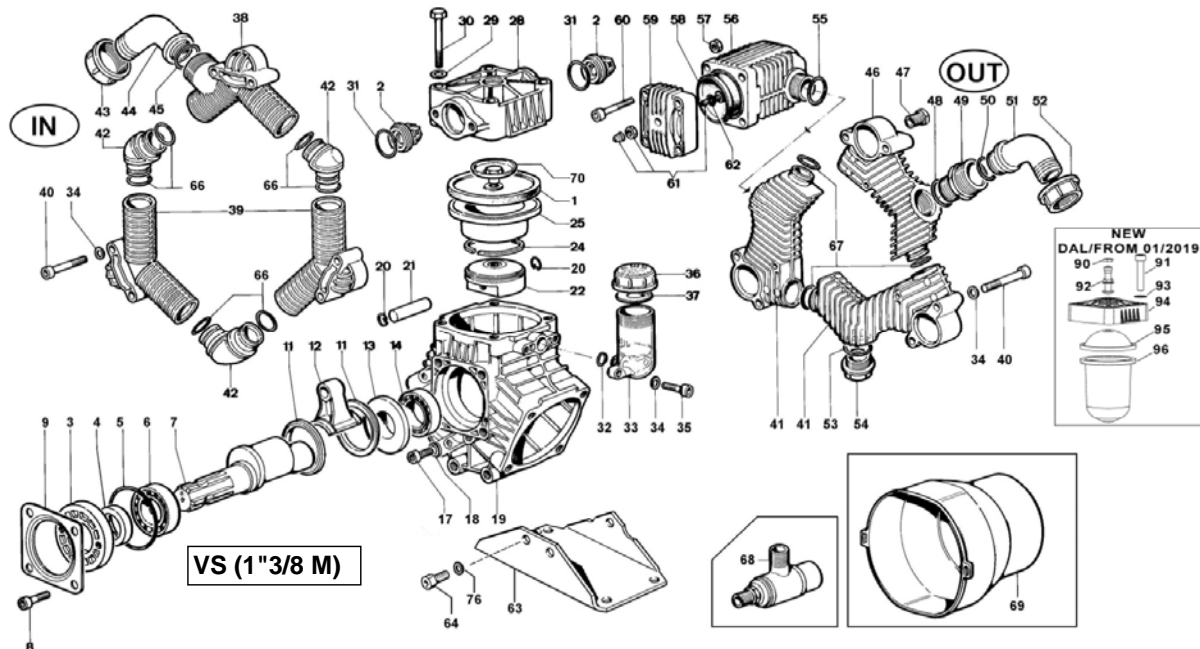
KIT	PRE-SET DURAMAX			PRE-SET DESMOPAN			VITON						PENTAX				
	62.9807.97.3DS	62.9807.97.ADS *	62.9807.97.3	62.9807.97.A *	62.9809.97.3	62.9809.97.A *	1	31	58	48	53	55	66	67	1	31	58
POSIZIONE ESPLOSO POSITION NUMBER	1	31	58	1	31	58	1	31	58	48	53	55	66	67	1	31	58
QUANTITA' NEL KIT QUANTITIES INCLUDED	3	6	1	3	6	1	3	6	1	1	1	1	6	3	3	6	1

*.3: per pompe con calotta accumulatore in alluminio/for pumps with aluminum ballaster cover
*.A: per pompe con calotta accumulatore in polipropilene/for pumps with polypropylene ballaster cover

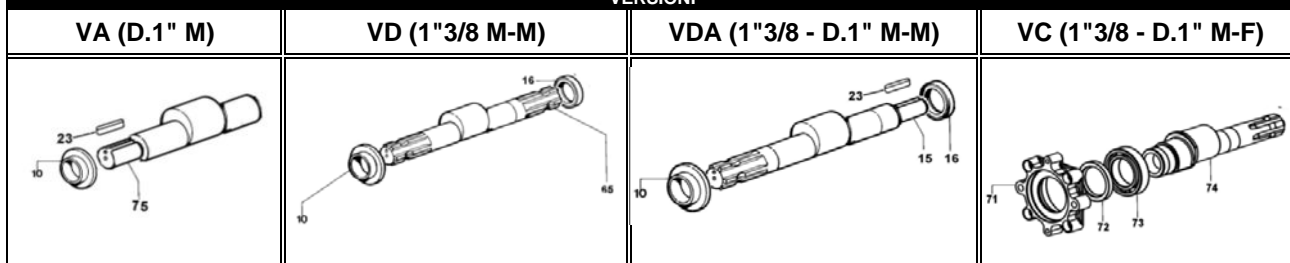
KIT POMPA/KIT VALVOLE - PUMP KIT/VALVES KIT

KIT	KIT POMPA VS-VA VS-VA PUMP KIT					KIT POMPA VD-VDA VD-VDA PUMP KIT					KIT POMPA VC VC PUMP KIT					VAM INOX 303 VALVES KIT 303		VAM INOX 316 VALVES KIT 316							
	62.9803.97.3	4	5	31	66	67	62.9820.97.3	4	5	31	66	67	16	62.9821.97.3	72	5	31	66	67	16	62.9805.97.3	2	31	62.9906.97.3	2
POSIZIONE ESPLOSO POSITION NUMBER	4	5	31	66	67	62.9820.97.3	4	5	31	66	67	16	62.9821.97.3	72	5	31	66	67	16	62.9805.97.3	2	31	62.9906.97.3	2	31
QUANTITA' NEL KIT QUANTITIES INCLUDED	1	1	6	6	3	62.9820.97.3	1	1	6	6	3	1	62.9821.97.3	1	1	6	6	3	1	62.9805.97.3	6	6	62.9906.97.3	6	6

POLY 2116 - 2136 VS (1"3/8 M)



VERSIONI



POS.	CODICE PART NO. REF.	DENOMINAZIONE - DESCRIPTION - DESCRIPTION	Q.TY	POS.	CODICE PART NO. REF.	DENOMINAZIONE - DESCRIPTION - DESCRIPTION	Q.TY
1	62.0040.00.A	PRE-SET DESMOPAN PISTON DIAPHRAGM	3	42	62.0007.32.2	ELBOW MANIFOLD	3
1	62.0040.00.ADS	PRE-SET DURAMAX PISTON DIAPHRAGM	3	43	82.0070.00.2	WING NUT G.1"1/2	1
1	62.0040.33.2	VITON PISTON DIAPHRAGM	3	44	84.0591.00.2	90° ELBOW CONNECTOR DIA.40-1.57"	1
1	62.0040.36.2	HPS PISTON DIAPHRAGM	3	44	84.0571.00.2	90° ELBOW CONNECTOR DIA.38-1.49" (OPT.)	1
2	28.9905.97.3	S.S. AISI 316 VALVE ASSY	6	45	80.3219.15.2	O-RING 3,0x30 VITON	1
2	28.9809.97.3	S.S. AISI 303 VALVE ASSY (OPT.)	6	46	62.0031.32.2	MANIFOLD PIPE G.3/8	1
3	53.0007.32.2	HOUSING	1	47	85.2576.00.2	CAP G.3/8	1
4	80.2143.10.2	OIL SEAL DIA.35x52x7	1	48	80.3247.60.2	O-RING 3,53x28.17 VITON	1
5	80.3310.00.2	O-RING 4.0X82	1	49	83.5089.00.2	NIPPLES G.1"-G.1"1/4	1
6	81.2846.00.2	BEARING DIA.35x72x17	1	50	80.3219.05.2	O-RING 3,0x25 VITON	1
7	62.0010.26.2	CRANKSHAFT 1"3/8 "VS"	1	51	84.0542.40.2	90° ELBOW CONNECTOR DIA.25-1"	1
8	86.3187.05.2	SCREW M10x18 UNI5931	4	51	84.1608.40.2	STRAIGHT CONNECTOR DIA.25-1" (OPT.)	1
8	86.3264.00.2	SCREW M10x25 UNI5931 (VC)	4	52	82.0067.50.2	WING NUT G.1"1/4	1
9	17.0016.61.2	FLANGE	1	53	80.3206.50.2	O-RING 2,62x28,25 VITON	1
10	62.0029.09.2	SPACER CRANKSHAFT "VD"	1	54	85.2720.00.2	CAP G 1"	1
11	98.0047.76.2	CONNECTING ROD RING	2	55	80.3219.15.2	O-RING 3,0x30 VITON	1
12	62.0008.11.2	CONROD	3	56	27.0035.32.2	DAMPER BODY	1
13	28.0027.09.2	SHAFT SPACER	1	57	81.4573.00.2	NUT M8 UNI5588	4
14	81.2837.00.2	BEARING DIA.35x62x14	1	58	23.0041.31.2	DAMPER DIAPHRAGM (BEFORE 01-19)	1
15	62.0027.26.2	CRANKSHAFT "VDA"	1	58	23.0041.36.2	HPS DAMPER DIAPHRAGM (BEFORE 01-19)	1
16	80.2143.10.2	OIL SEAL DIA.35x52x7	1	58	23.0041.33.2	VITON DAMPER DIAPHRAGM (BEFORE 01-19)	1
17	86.3694.65.2	SCREW M12x20 UNI5931	1	59	11.0004.09.2	DAMPER COVER (BEFORE 01-19)	1
18	82.4066.00.2	GASKET DIA.12,2x18x1,5 COPPER	1	60	86.2752.50.2	SCREW M8x35 UNI5931 (BEFORE 01-19)	4
19	62.0001.09.2	CRANKCASE "VS"	1	61	86.1608.50.2	AIR VALVE (BEFORE 01-19)	1
19	62.0030.09.2	CRANKCASE "VD"- "VDA"- "VC"	1	62	80.3213.00.2	O-RING 3,0x6 (BEFORE 01-19)	1
20	80.0021.00.2	RING DIA.15	6	63	63.0006.61.2	MOUNTING RAIL	1
21	85.2006.70.2	PISTON PIN DIA.15	3	64	86.3255.10.2	SCREW M10x25 UNI5739	3
22	62.0018.09.2	PISTON DIA.78 (POLY 2136)	3	65	62.0024.26.2	CRANKSHAFT "VD"	1
22	63.0013.09.2	PISTON DIA.72 (POLY 2116)	3	66	80.3206.50.2	O-RING 2,62x28,25 VITON	6
23	80.6475.00.2	TAB 6,36x6,36x38	1	67	80.3204.50.2	O-RING 2,62x23,81 VITON VERDE	3
24	81.8540.00.2	PISTON RING DIA.78 (POLY 2136)	3	68	24.3016.97.3	SAFETY VALVE 15bar (OPTIONAL)	1
24	81.8530.00.2	PISTON RING DIA.72 (POLY 2116)	3	69	31.1468.32.2	PLAIN SAFETY CONE (OPTIONAL)	1
25	62.0019.01.2	PISTON SLEEVE (POLY 2136)	3	69	31.1482.32.2	PLAIN SAFETY CONE (OPTIONAL)	1
25	62.0005.01.2	PISTON SLEEVE DIA.72 (POLY 2116)	3	70	62.9811.97.3	KIT SCREW/DISK INOX (POLY 2136)	3
28	62.0025.32.2	HEAD	3	70	62.9818.97.3	KIT SCREW/DISK INOX (POLY 2116)	3
29	84.3844.00.2	WASHER DIA.12,2x21x2,5	12	71	62.0107.07.2	BALL BEARING HOLDER (VC)	1
30	86.4068.50.2	SCREW M12x75 UNI5931	12	72	80.2191.10.2	OIL SEAL DIA. 45x62x7 (VC)	1
31	80.3314.00.2	O-RING 4,5x40	6	73	81.2933.00.2	BALL BEARING 6009 (VC)	1
31	80.3314.50.2	O-RING 4,5x40 (KIT VITON)	6	74	62.0108.26.2	CRANKSHAFT "VC"	1
32	80.3180.00.2	O-RING 2,62x15,08	1	75	62.0022.26.2	CRANKSHAFT "VA"	1
33	23.0008.32.2	OIL FILLER	1	76	84.3760.00.2	SCHNORR WASHER 10,5x16x1	3
34	84.3685.40.2	WASHER DIA.8,2x15x1,5	14	90	86.1611.00.2	AIR VALVE NUT (FROM 01-19)	1
35	86.2731.00.2	SCREW M8x30 UNI5931	2	91	86.2852.00.2	SCREW M8x45 (FROM 01-19)	4
36	85.2750.00.2	OIL FILLER CAP	1	92	86.1609.00.2	AIR VALVE (FROM 01-19)	1
37	82.4120.00.2	GASKET DIA.45x19x1,5	1	93	84.3685.40.2	WASHER D.8,4x15x1,5 (FROM 01-19)	4
38	62.0004.32.2	MANIFOLD PIPE G.1"1/2	1	94	11.0183.32.2	BALLASTER COVER (FROM 01-19)	1
39	62.0003.32.2	MANIFOLD PIPE	2	95	10.0041.31.2	SUP. BALLASTER DIAPHRAGM (FROM 01-19)	1
40	86.2951.05.2	SCREW M8x65 UNI5931	12	96	23.0094.31.2	INF.BALLASTER DIAPHRAGM (FROM 01-19)	1
41	62.0002.32.2	MANIFOLD PIPE (OUTLET)	2				